

**WS**  
MODEL

## COUNTER BALANCE ELECTRIC STACKER

CAPACITY

1.2-1.5 ton

LIFTING HEIGHT

1,400-4,500 mm.

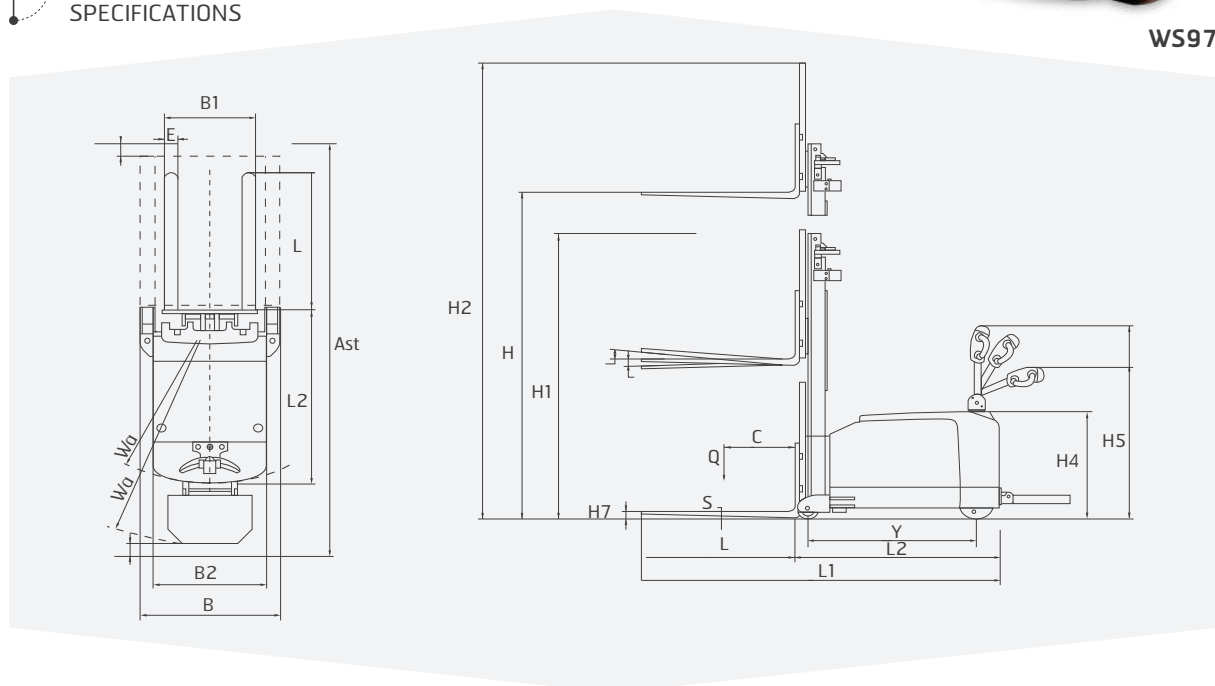
Model

WS91-12  
WS97-12  
WS97-15

 DRAWINGS FOR  
SPECIFICATIONS



WS97-12



## SPECIFICATIONS

MODEL			WS97-12	WS91-12	WS97-15T (Triplex)	WS97-15D (Duplex)	
CHARACTERISTICS	Mast Type		Duplex	Duplex & free lift	Triplex & free lift	Duplex	
	Q capacity	kg	1200	1200	1500	1500	
	C load center	mm	500	500	500	500	
	operator type		walkie (rider optional)	walkie (rider optional)	walkie (rider optional)	walkie (rider optional)	
	EPS (electric power steering)		standard equipped	standard equipped	standard equipped	standard equipped	
SPECIFICATIONS	H optional lifting height	mm	1400/2000/2500/3000/ 3300/3600/4000	2500/3000/3300	3700/4000/4500	1400/2000/2500/3000/ 3300/3500/4000	
	Freelift height	mm	-	1270/1520/1620	1335/1520/1620	-	
	H7 lowered height of fork	mm	55	55	55	55	
	B1 overall fork width	mm	adjustable maximum 660	adjustable maximum 660	adjustable maximum 660	adjustable maximum 660	
	L standard fork length	mm	1070	1070	1070	1070	
	fork thickness	mm	40	40	40	40	
	E fork width	mm	100	100	100	100	
	Wa minimum turning radius	mm	1352/143(with fork tilt)	1352	1699	1699/1785(with fork tilt)	
	Ast minimum aisle width	mm	2715/2797(with fork tilt)	2715	3022	3022/3105(with fork tilt)	
	minimum ground clearance	mm	80	80	80	80	
PERFORMANCE	maximum traveling speed	laden	km/h	5	5	5	5
		unladen	km/h	5	5	5	5
	maximum lifting speed	laden	m/s	0.13	0.13	0.13	0.13
		unladen	m/s	0.23	0.23	0.23	0.23
	maximum lowering speed	laden	m/s	0.13	0.13	0.13	0.13
		unladen	m/s	0.23	0.23	0.23	0.23
	gradeability	laden	%	5	5	5	5
		unladen	%	7	7	7	7
WEIGHT	service weight without battery (3m/4.5m standard)	kg	1588/1668(with fork tilt)	1700	2062	1688/1768(with fork tilt)	
	service weight with battery (3m/4.5m standard)	kg	1832/1912(with fork tilt)	1940	2306	1932/2012(with fork tilt)	
CHASSIS	L1 Overall length including forks	mm	2502/2591(with fork tilt)	2502	2852	2852/2941(with tilting fork)	
	B overall width	mm	1015	1015	1015	1015	
	H5 Height of tiller arm in drive position min./max.	mm	1110/1450	1110/1450	1110/1450	1110/1450	
	L2 rear body length	mm	1432/1521(with fork tilt)	1421	1849	1782/1871(with tilting fork)	
	B2 rear body width	mm	827	827	827	827	
	H4 rear body height	mm	780	780	780	780	
	handle width	mm	430	430	430	430	
	H2 mast extend height	mm	2400/3000/3500/4000/ 4300/4500/5000	3100/3600/3900	4300/4600/5100	2400/3000/3500/4000/ 4300/4500/5000	
H1 mast lower height	mm	1230/1580/1780/2030/ 2130/2230/2545	1830/2080/2180	1695/1880/1980	1230/1580/1780/2030/ 2130/2230/2545		
WHEEL	wheel type front/rear		PU	PU	PU	PU	
	wheels		1xDriven wheel, 2xFront wheel	1xDriven wheel, 2xFront wheel	1xDriven wheel, 2xFront wheel	1xDriven wheel, 2xFront wheel	
	dimension of driven wheel	mm	Ø248x75	Ø248x75	Ø248x75	Ø248x75	
	dimension of load wheel	mm	Ø150x100	Ø150x100	Ø150x100	Ø150x100	
	Y wheel base	mm	1179/1289(with tilting fork)	1179	1529	1529/1639(with tilting fork)	
DRIVING SYSTEM	brake type		electromagnetic	electromagnetic	electromagnetic	electromagnetic	
	traveling motor	kw	1.5 AC	1.5 AC	1.5 AC	1.5 AC	
	lifting motor	kw	3.0 DC	3.0 DC	3.0 DC	3.0 DC	
	voltage	v	24v	24v	24v	24v	
	battery capacity/type	Ah	280Ah/industry	280Ah/industry	280Ah/industry	280Ah/industry	
	maximum battery box size(L*W*H)	mm	608x275x610	608x275x610	608x275x610	608x275x610	
control system		CURTIS 1230-200A	CURTIS 1230-200A	CURTIS 1230-200A	CURTIS 1230-200A		

\*The Specification is subject to change without prior notice.