

WS
MODEL

FORKOVER ELECTRIC STACKER

CAPACITY
1.0-1.2 ton

LIFTING HEIGHT
2,000-4,000 mm.



WS15J-RE

WS03-12

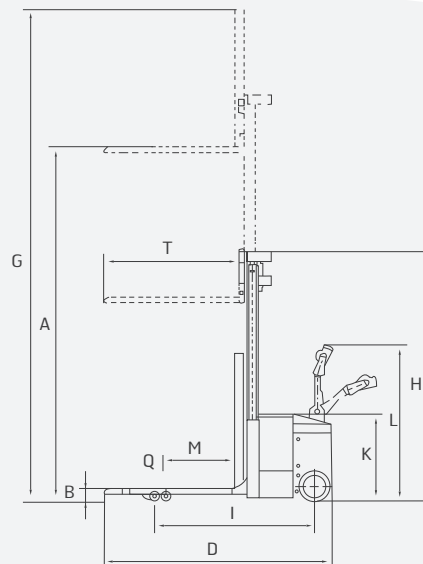
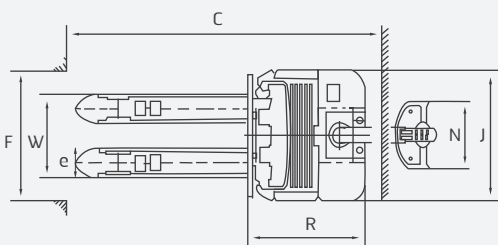
Model

WS15S
WS03-12
WS15J-RE



WS15S

 DRAWINGS FOR
SPECIFICATIONS



SPECIFICATIONS

MODEL				WS15S	WS03-12	WS15J-RE
CHARACTERISTICS	Q	Capacity	kg	1500	1200	1500
	M	Load Centre	mm	600	600	600
		Operator Type		walkie	walkie (rider option)	rider
		Electric Power Steering(EPS)		unavailable	standard equipped	unavailable
SPECIFICATIONS	A	Optional Lifting Height	mm	2000/2500/3000/3500	2000/2500/3000/3300/3600/4000	1600/2000/2500/3000
	B	Lowered Height Of Fork	mm	86	85	86
	W	Overall Fork Width	mm	570/650	540/650	570/695
	T	Fork Length	mm	1150	1150/1200	1150
	e	Fork Width	mm	650	650	650
	C	Minimum Turning Radius	mm	1342	1482	1455
		Minimum Aisle Width	mm	2074	2182	2110
Minimum Ground Clearance		mm	26	30	25	
PERFORMANCE	Maximum Traveling Speed	Laden	Km/h	4.0	3	4.2
		Unladen	Km/h	4.2	3.5	4.5
	Maximum Lifting Speed	Laden	m/s	92	0.13	90
		Unladen	m/s	136	0.23	130
	Maximum Lowering Speed	Laden	m/s	-	0.13	105
		Unladen	m/s	-	0.23	100
	Gradeability	Laden	%	6	5	3
		Unladen	%	8	7	6
WEIGHT	Service Weight Without Battery		kg	-	924	550/620/650/660
	Service Weight With Battery		kg	-	1134	620/690/720/730
CHASSIS	D	Overall Length	mm	1740	1990/2540 (with platform)	1890/2282 (with platform)
	F	Overall Width	mm	795	812	808
	L	Overall Rear Height	mm	-	1455	1415
	R	Rear Body Length	mm	-	780	740
	J	Rear Body Width	mm	-	812	808
	K	Rear Body Height	mm	-	837	-
	N	Handle Width	mm	-	430	-
	G	Mast Extend Height	mm	2014(single stage) 2424/2924/3424/3924	2500/3000/3500 /3800/4100/4500	2077/2537/3037/3487
	H	Mast Lower Height	mm	2014(single stage) 1495/1745/1995/2245	1535/1765/1980 /2135/2335/2500	2077/1577/1827/2027
WHEEL	Wheel Type Front/rear			PU	PU	PU
	Wheels Quantity			1xDriven wheel,1xUniversal wheel, 4xFront wheel	1xDriven wheel,2xUniversal wheel, 4xFront wheel	1xDriven wheel,2xUniversal wheel, 4xFront wheel
	Dimension Of Driven Wheel		mm	-	Ø 248x75	Ø 210x70
	Dimension Of Load Wheel		mm	-	Ø 84x58	Ø 80x70
	Dimension Of Universal Wheel		mm	-	Ø 115x55	Ø 115x55
	I	Wheel Base	mm	1150	1307	1148
DRIVING SYSTEM	Brake Type			electromagnetic	electromagnetic	electromagnetic
	Travelling Motor		kw	0.75 AC	1.5 AC	0.75 AC
	Lifting Motor		kw	2.2 DC	3.0 DC	2.2 DC
	Battery Capacity/Type		v/Ah	2x12v/100Ah	24v/210Ah	2x12v/120Ah
	Maximum Battery Box Size(L*W*H)		mm	-	650x200x575	-
	Control System			CURTIS	CURTIS 1230-2402	DC

*The Specification is subject to change without prior notice.