

**WP**  
MODEL

**POWER  
PALLET TRUCK**

**CAPACITY  
3.5 ton**

**LIFTING HEIGHT  
230 mm.**



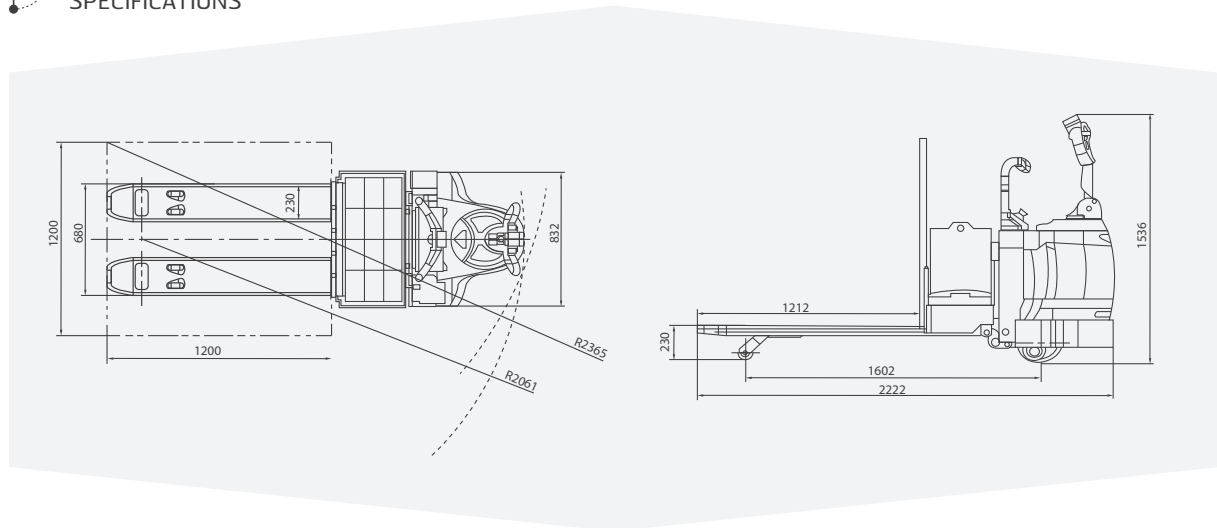
**Model**

**WP51-35  
WP52-35  
WP53-35**

**AC DRIVING SYSTEM  
DC LIFTING MOTOR  
MAINTENANCE FREE BATTERY  
ELECTRIC POWER STEERING**

*∞*  
**Reliable ride to speed up time  
by tough engineered truck**  
*∞*

 **DRAWINGS FOR  
SPECIFICATIONS**



## SPECIFICATIONS

MODEL			WP51-35	WP52-35	WP53-35	
FEATURE	Load capacity	kg	3500	3500	3500	
	Load center		Double pallet	Single Pallet	Single pallet	
	Wheel base	mm	2084	1602	1602	
	Operating type		Rider	Rider	Walkie	
WHEELS	Wheels type		PU	PU	PU	
	Wheel quantity Driving wheel / Balance wheel / Bearing wheel		1/4/2	1/4/2	1/4/2	
	Driving wheel size	mm	Ø 228x93	Ø 228x93	Ø 228x93	
	Bearing wheel size	mm	Ø 84x152 (Double wheels)	Ø 84x152 (Double wheels)	Ø 84x152 (Double wheels)	
	Balance wheel size	mm	Ø 115x55	Ø 115x55	Ø 115x55	
DIMENSION	Min. fork lowered height	mm	85	85	85	
	Max. fork lifting height	mm	230	230	230	
	Max. lifting height	mm	145	145	145	
	Overall fork width	mm	680	680	680	
	Fork length	mm	2432	1212/1365/1517	1212/1365/1517	
	Fork width	mm	250	230	230	
	Fork thickness	mm	60	60	60	
	Overall length	mm	3605	2374	2222	
	Overall width	mm	930	930	832	
	Overall height (With handle)	mm	1536	1536	1536	
	Overall height (Without handle)	mm	1280	1280	1280	
	Min. turning radius	mm	2708	2190	2051	
	Min. Aisle width for pallets 1200x1200	mm	3650	2536	2365	
	Travel speed	laden / unladen	km/h	11 / 14	11 / 14	4 / 4.5
Lift speed	laden / unladen	mm/s	30 / 35	30 / 35	30 / 35	
PERFORMANCE	Lowering speed	laden / unladen	mm/s	45 / 40	45 / 40	45 / 40
	Gradeability	laden / unladen	%	5 / 12	5 / 12	5 / 10
	Drive motor		KW	AC 4.2	AC 4.2	AC 3.0
	Lift motor		KW	DC 2	DC 2	DC 2
ELECTRICAL CONFIGURATION	Steering motor		KW	DC 0.15	DC 0.15	DC 0.15
	Battery voltage / capacity		V/Ah	24/360	24/360	24/360
	Brake			Electromagnetic / Regenerative	Electromagnetic/Regenerative	Electromagnetic / Regenerative
	Controller			Curtis	Curtis	Curtis
WEIGHT	Battery weight	kg	400	400	400	
	Service weight with battery	kg	1120	1045	910	

\*The Specification is subject to change without prior notice.