

ELECTRIC SCISSOR
LIFT TABLE



CAPACITY
300-500 KG

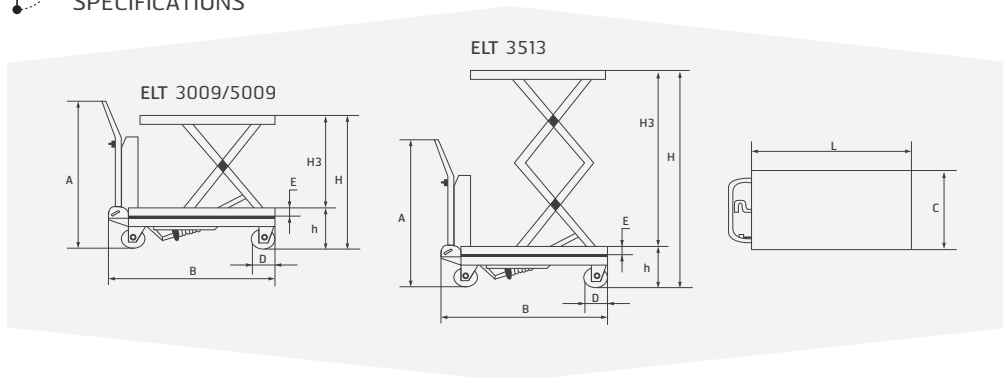


LIFTING HEIGHT
900-1,320 mm.



ELT5009

DRAWINGS FOR
SPECIFICATIONS



SPECIFICATIONS

	ELT3009	ELT5009	ELT3513		
Capacity	300	500	350	kg	
Max. Lift Height	H	900	900	1300	mm
Min. Height Of Table	h	300	300	405	mm
Lifting Height	H3	600	600	915	mm
Table Size	L x C x E	815x500x50	815x500x50	910x500x56	mm
Total Height	A	1101	1101	1101	mm
Wheel Diameter	D	127	127	127	d
Motor Power		0.8	0.8	0.8	kw
Lifting Speed		≤ 10	≤ 10	≤ 15	S
Lowering Speed		10	10	15	S
Battery Voltage		24V/33Ah	24V/33Ah	24V/33Ah	V/Ah
Service Weight		111	114	150	kg

*The Specification is subject to change without prior notice.