

SCALE
PALLET TRUCK

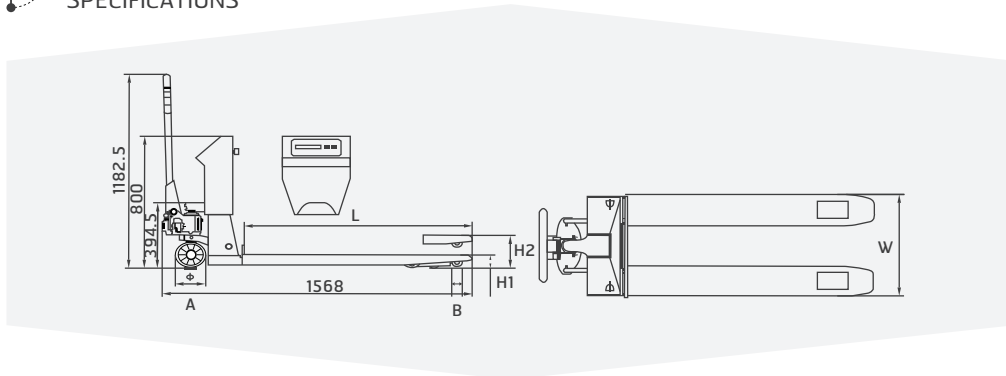
2.0 ton

MOVING PRODUCT
WITH HIGH PRECISION.



SPT2000

DRAWINGS FOR
SPECIFICATIONS



SPECIFICATIONS

SPT2000

| | | | |
|---------------------|----|----------------------------|----|
| Capacity | | 2000 | kg |
| Lowered Fork Height | H1 | 76/85 | mm |
| Total Lift Height | H2 | 165/175 | mm |
| Fork Length | L | 1150 | mm |
| Width Overall Forks | W | 540/570/705 | mm |
| Steering Wheel | A | Φ 160 | mm |
| Fork Wheel | B | Φ 70 | mm |
| Power | | Ni Mh rechargeable battery | |
| Measuring Interval | | 0.5 | |
| Max. Deviation | | ± 1% | kg |
| Service Weight | | 135 | kg |



METTLER TOLEDO
*special order



WITH BUILT-IN PRINTER

*The Specification is subject to change without prior notice.