

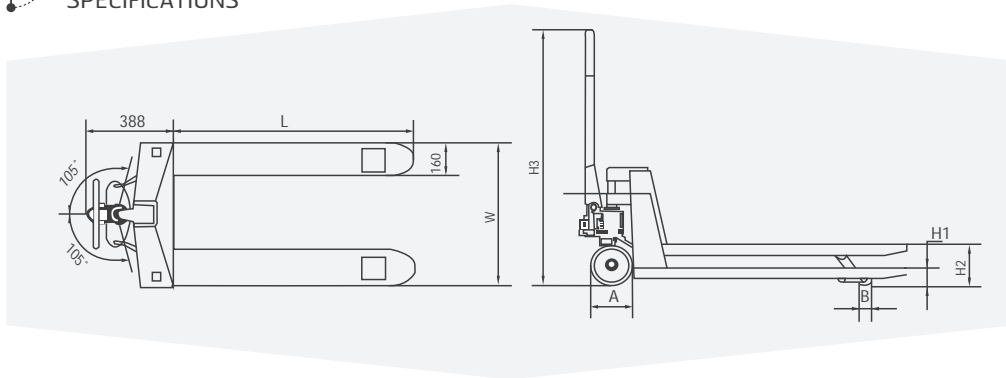
STAINLESS STEEL/GALVANIZED
PALLET TRUCK

2.5 ton

DIFFERENT TRUCK
FOR PARTICULAR PURPOSE.



DRAWINGS FOR
SPECIFICATIONS



SPECIFICATIONS

	GALVANIZED PALLET TRUCK		STAINLESS STEEL PALLET TRUCK		
	PTG255	PTG256	PTS255	PTS256	
Capacity	2500	2500	2500	2500	kg
Total Lift Height	H1	195	195	195	mm
Lowered Fork Height	H2	85	85	85	mm
Total Height	H	1224	1224	1224	mm
Fork Length	L	1150	1220	1150	mm
Width Over The Forks	W	520	685	520	mm
Steering Wheel	A	Φ 200	Φ 200	Φ 200	mm
Fork Wheel	B	Φ 80x70	Φ 80x70	Φ 80x70	mm
Truck Weight		70	70	80	kg

*The Specification is subject to change without prior notice.