

**PTL
MODEL**

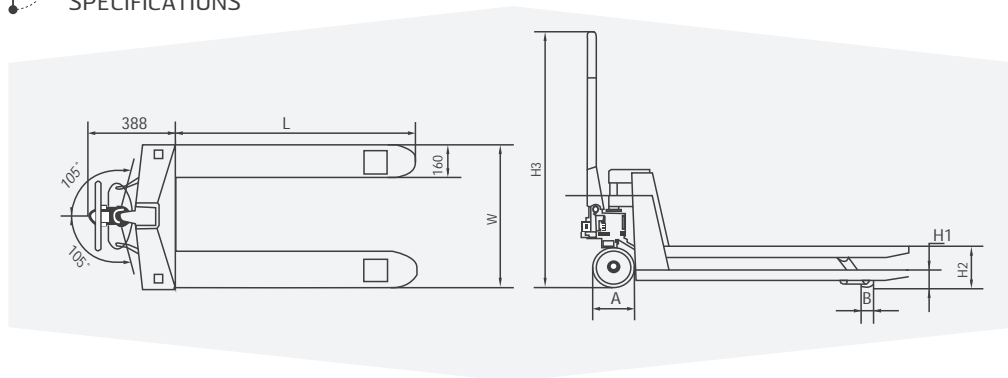
**HAND PALLET TRUCK
LOW PROFILE**

**1.0
1.5** ton

LOWER LIFTING
FOR SPECIAL REQUIREMENT.



 **DRAWINGS FOR
SPECIFICATIONS**



SPECIFICATIONS

		PTL105	PTL106	PTL155	PTL156	
Capacity		1000	1000	1500	1500	kg
Total Lift Height	H1	125	125	142	142	mm
Lowered Fork Height	H2	35	35	52	52	mm
Height Of Handeless	H3	381.5	381.5	431.5	431.5	mm
Fork Length	L	1150	1220	1150	1220	mm
Width Over The Forks	W	520	685	520	685	mm
Steering Wheel	A	Φ 150	Φ 150	Φ 150	Φ 150	mm
Fork Wheel	B	Φ 35x60	Φ 35x60	Φ 50x70	Φ 50x70	mm
Truck Weight		80	80	80	80	kg

*The Specification is subject to change without prior notice.